



FIG. 7

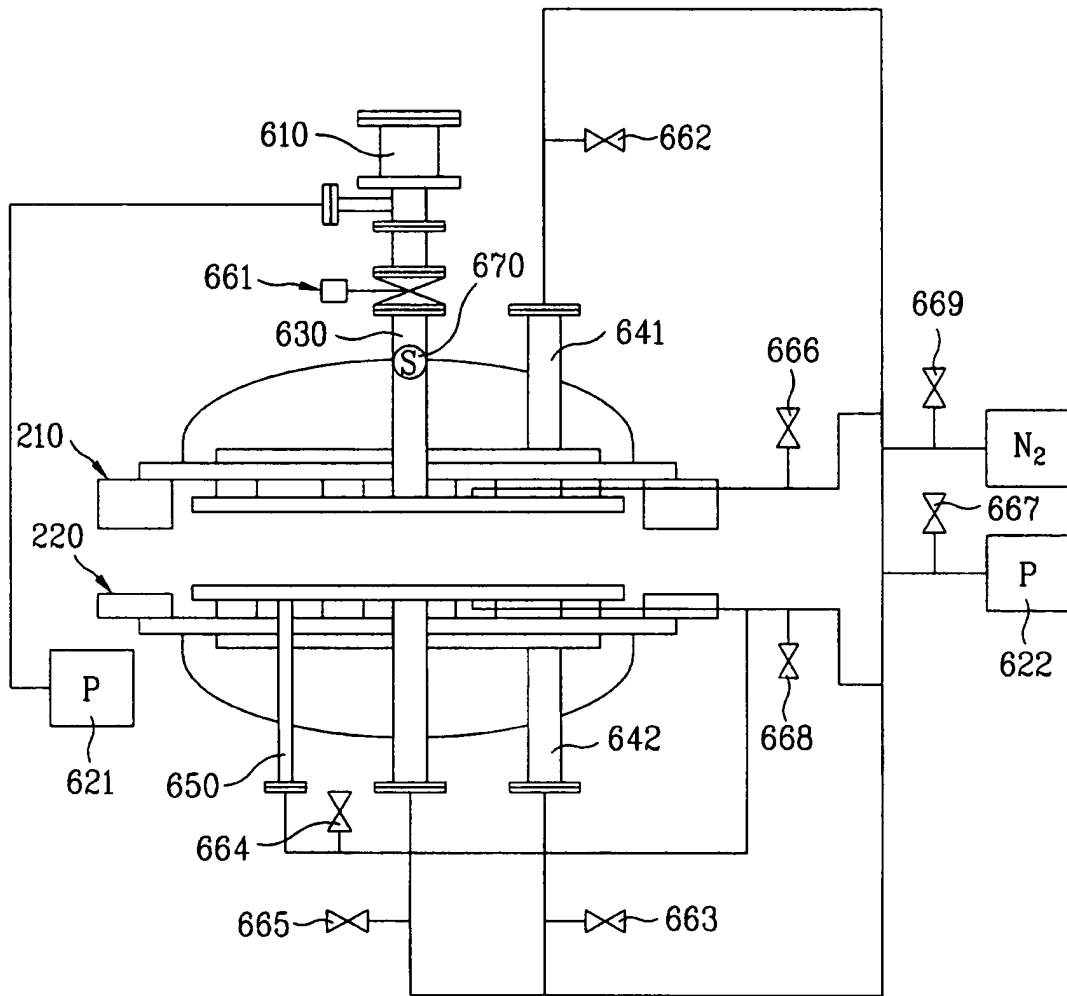
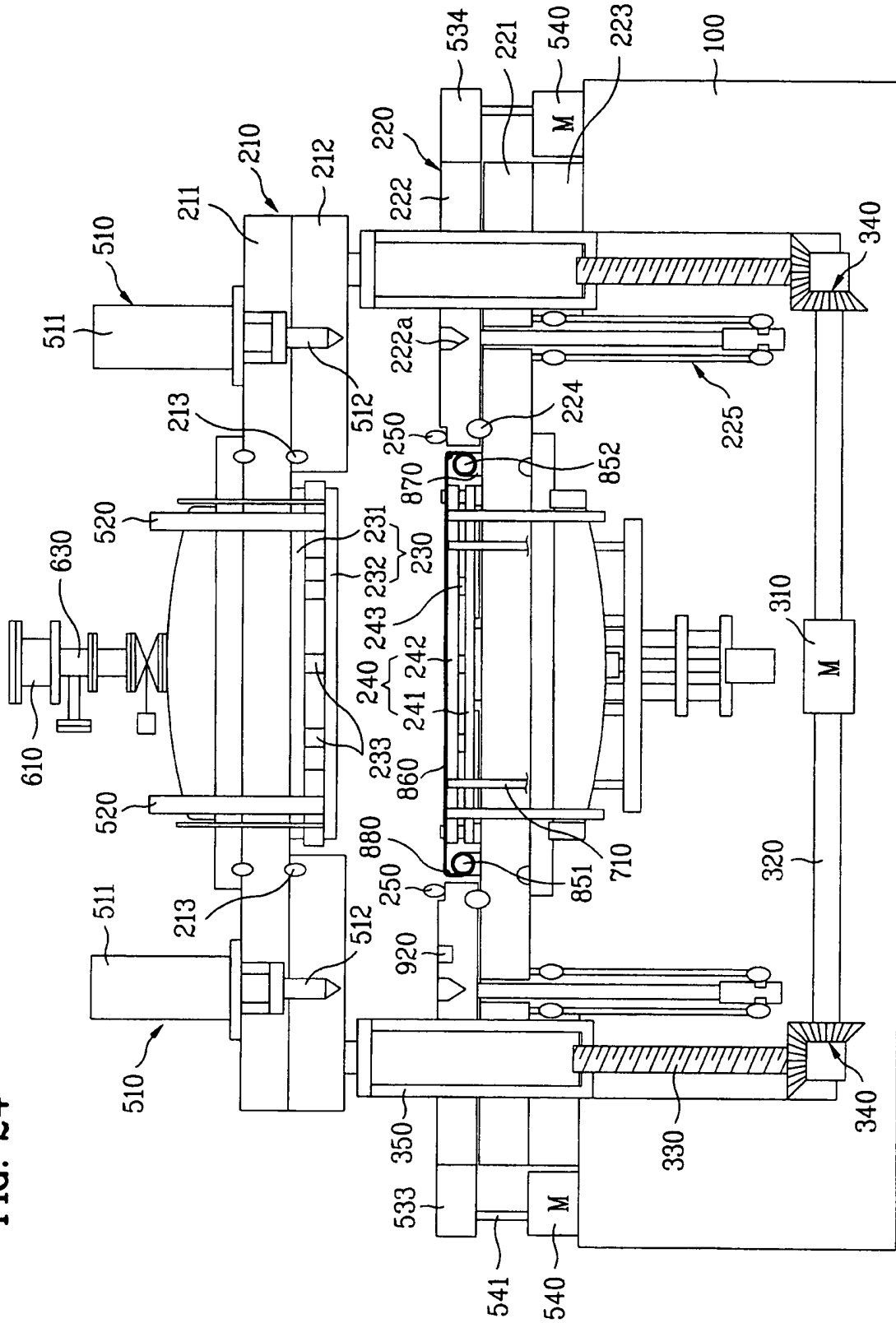




FIG. 24



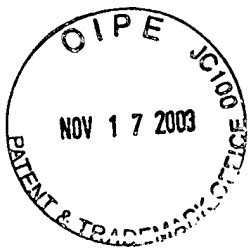


FIG. 25

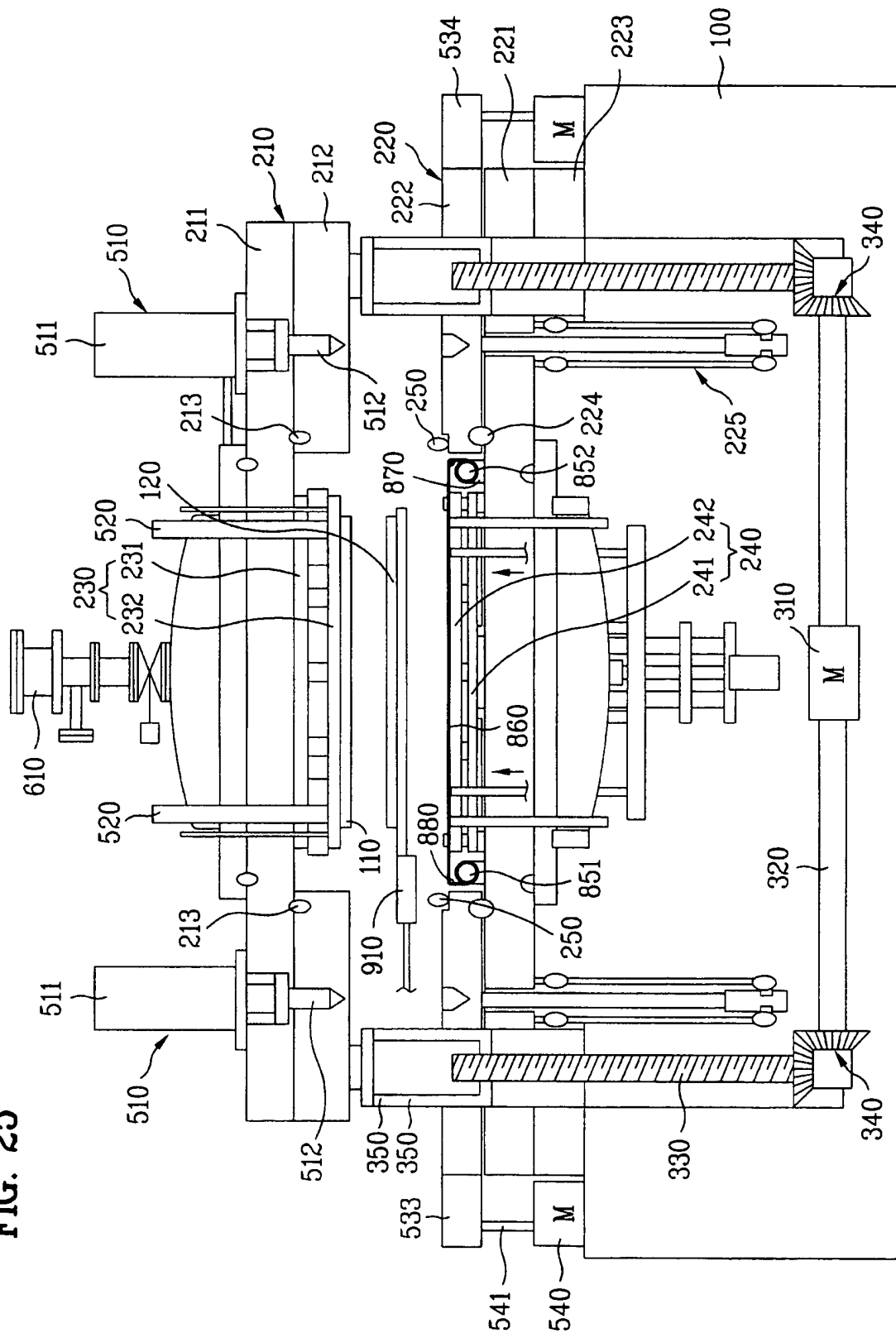




FIG. 26

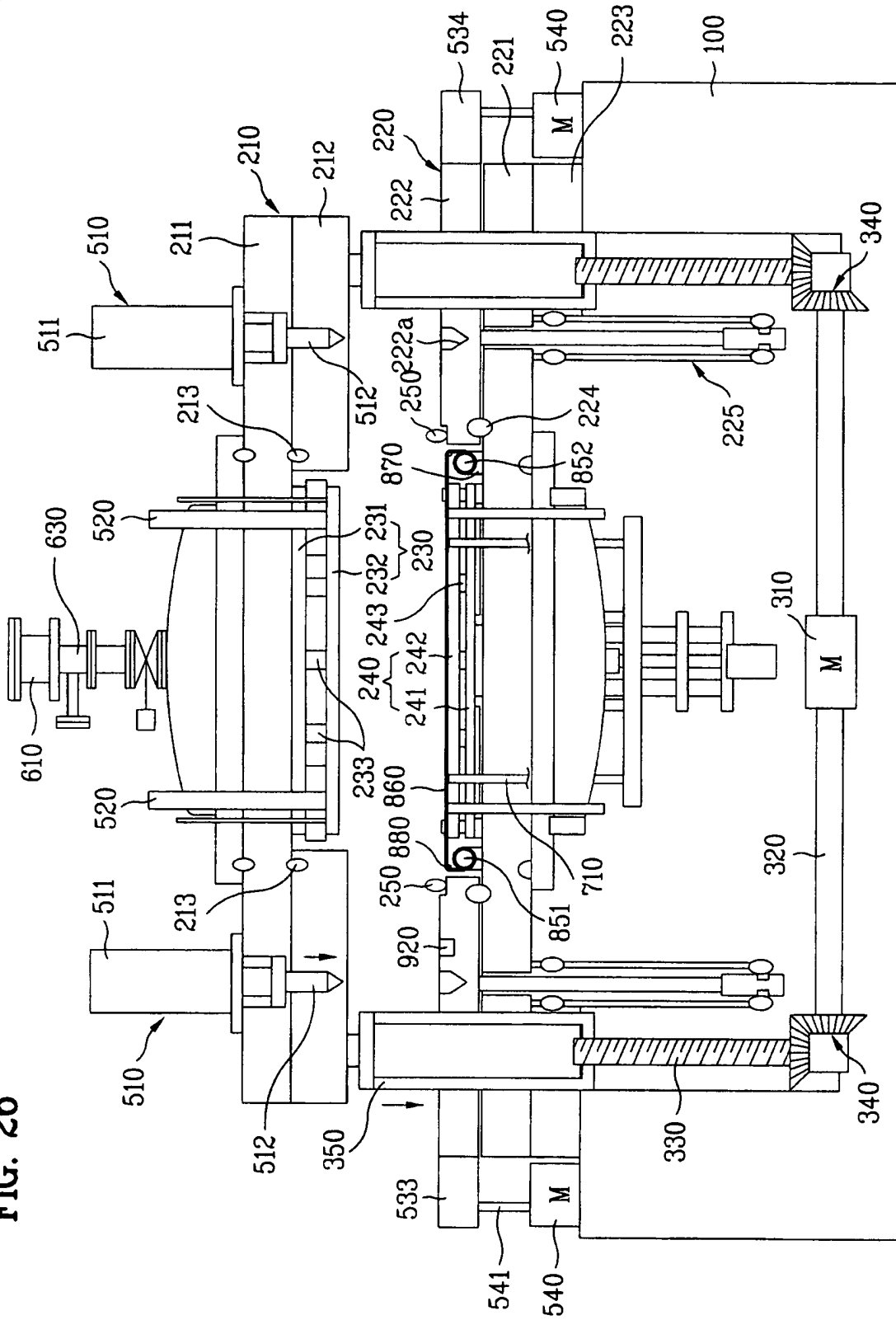




FIG. 27

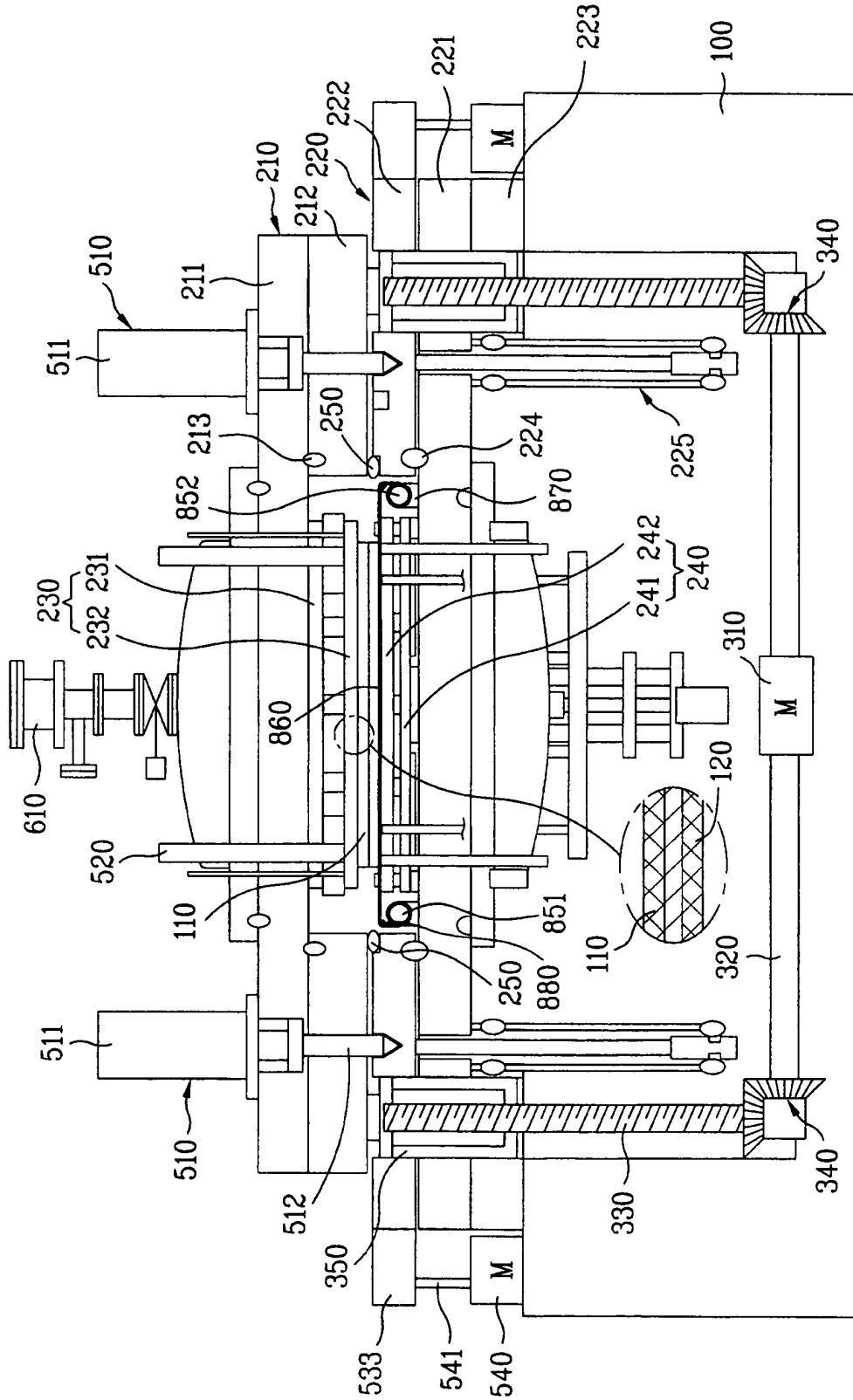




FIG. 28

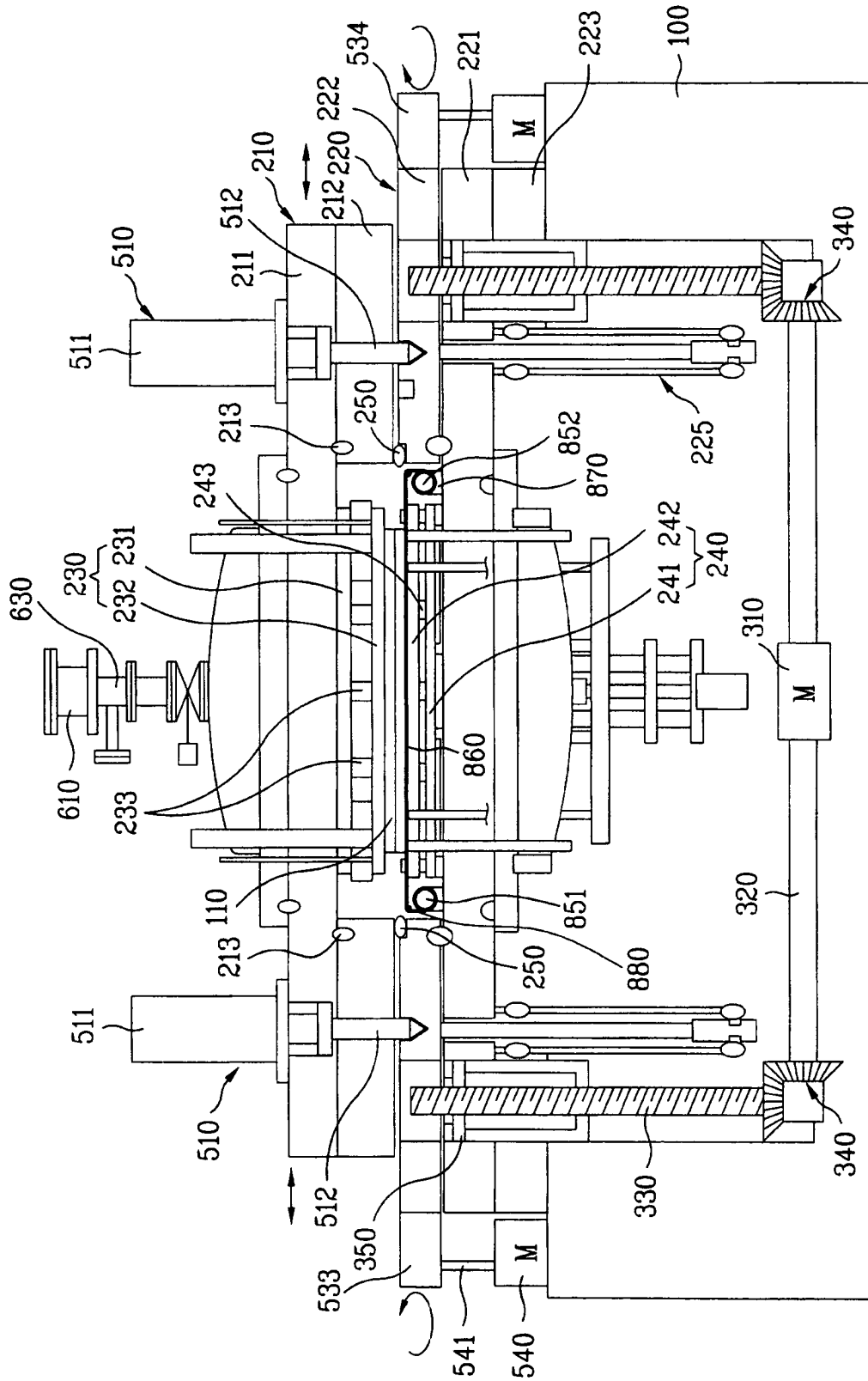
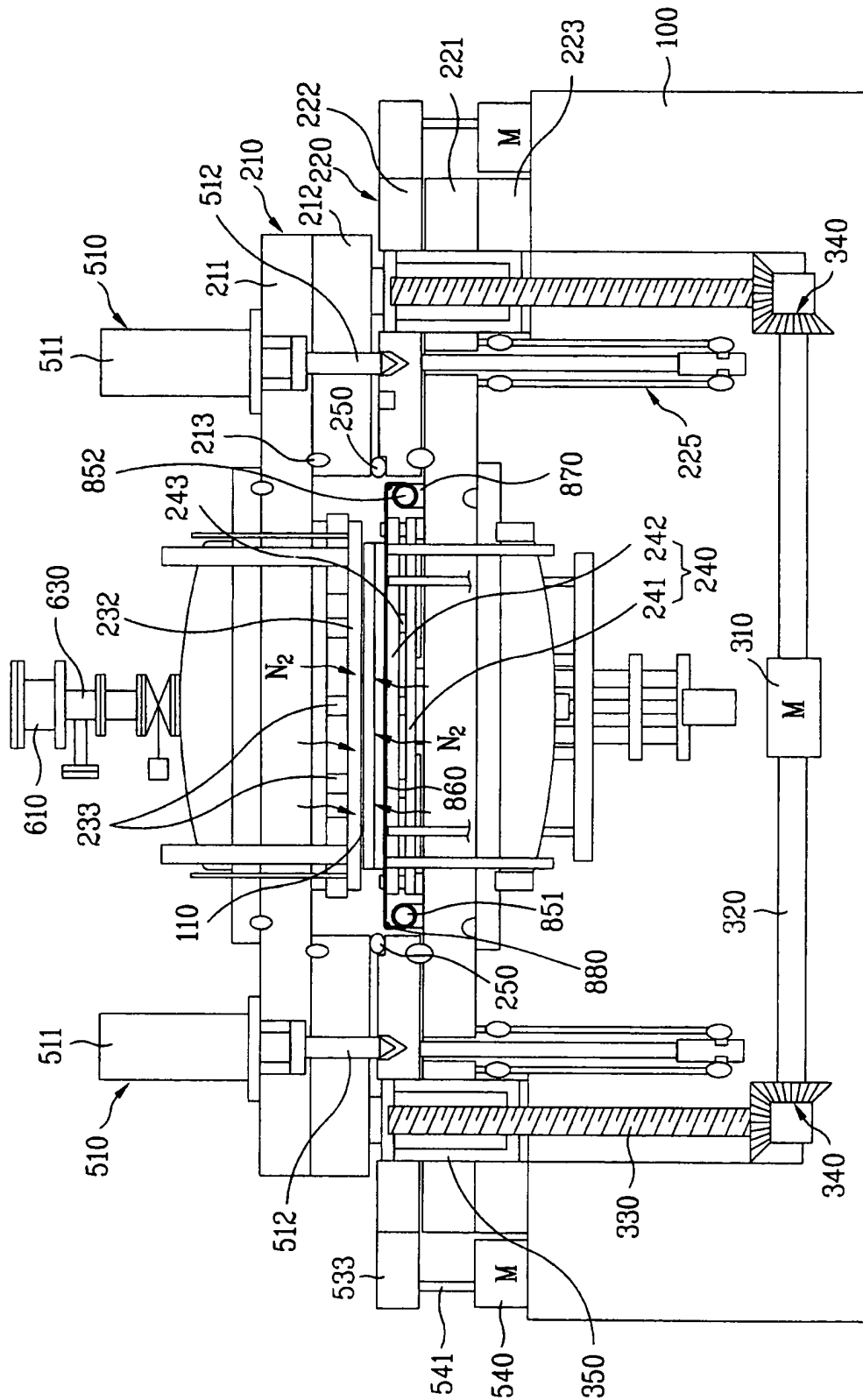




FIG. 29





App No.: 10/661,472

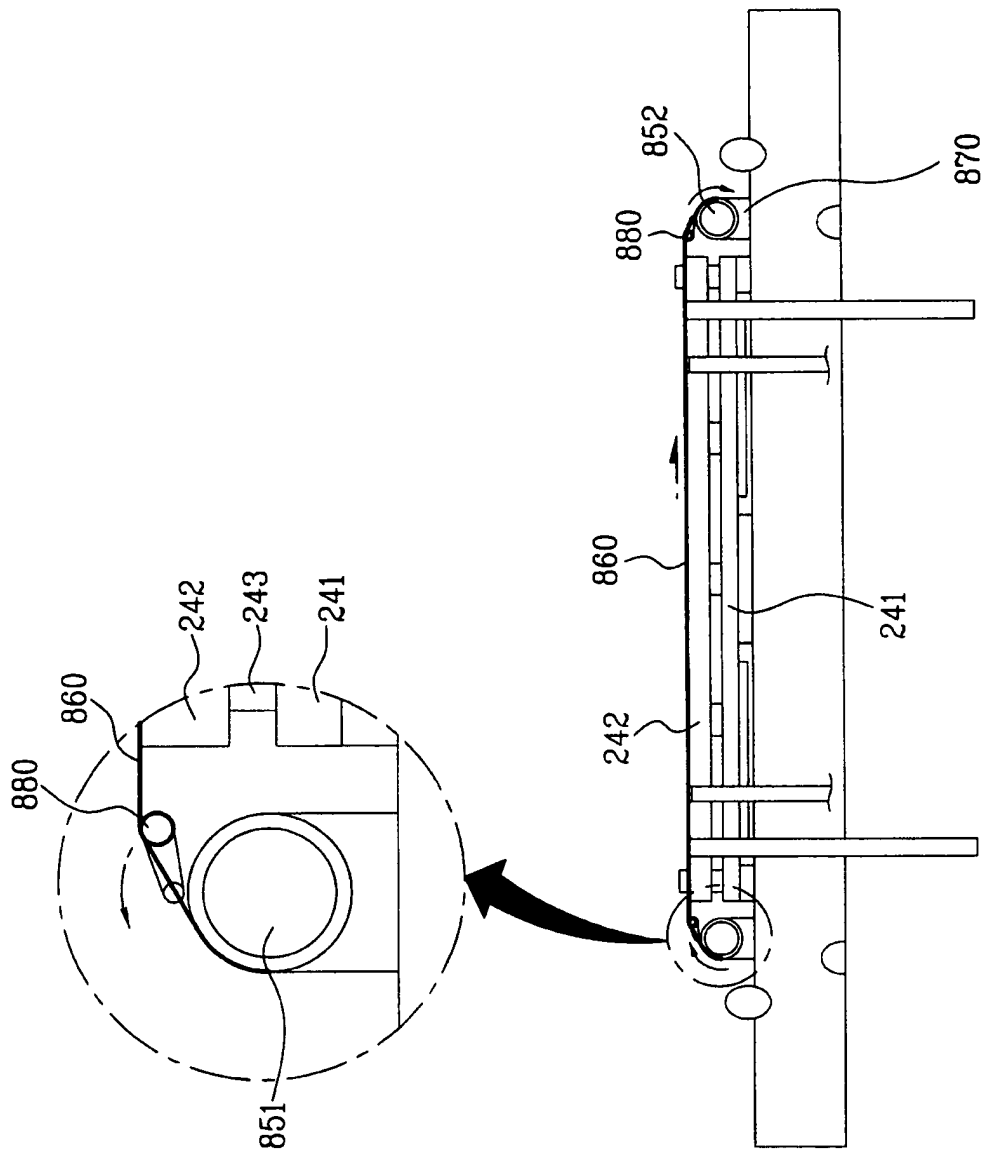
Docket No.: 8733.870.00-US

Inventor: Sang S. Lee, et al.

Title: SUBSTRATE BONDING MACHINE FOR LIQUID CRYSTAL DISPLAY
DEVICE

Replacement Sheet

FIG. 30



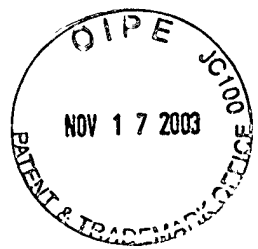


FIG. 31

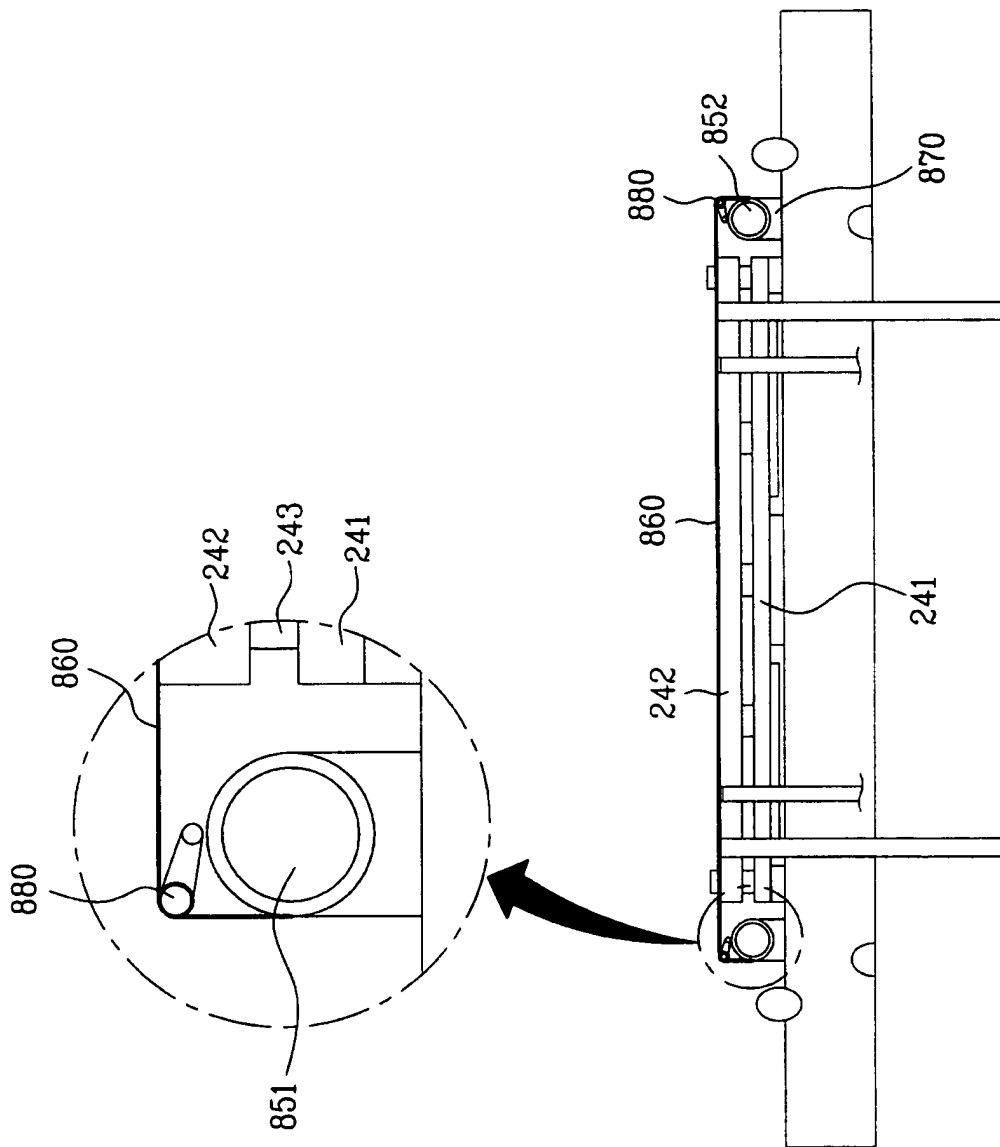
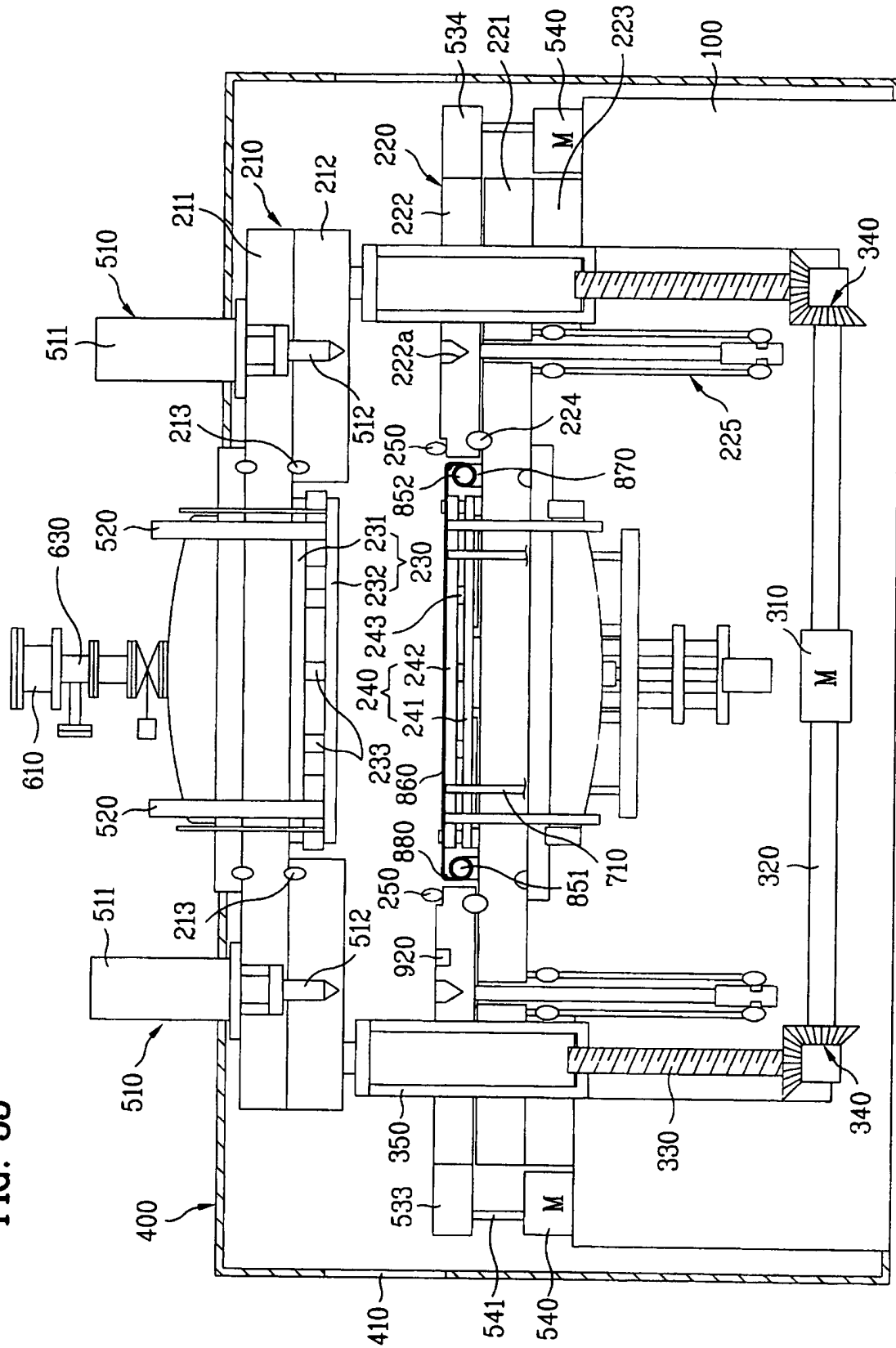




FIG. 33



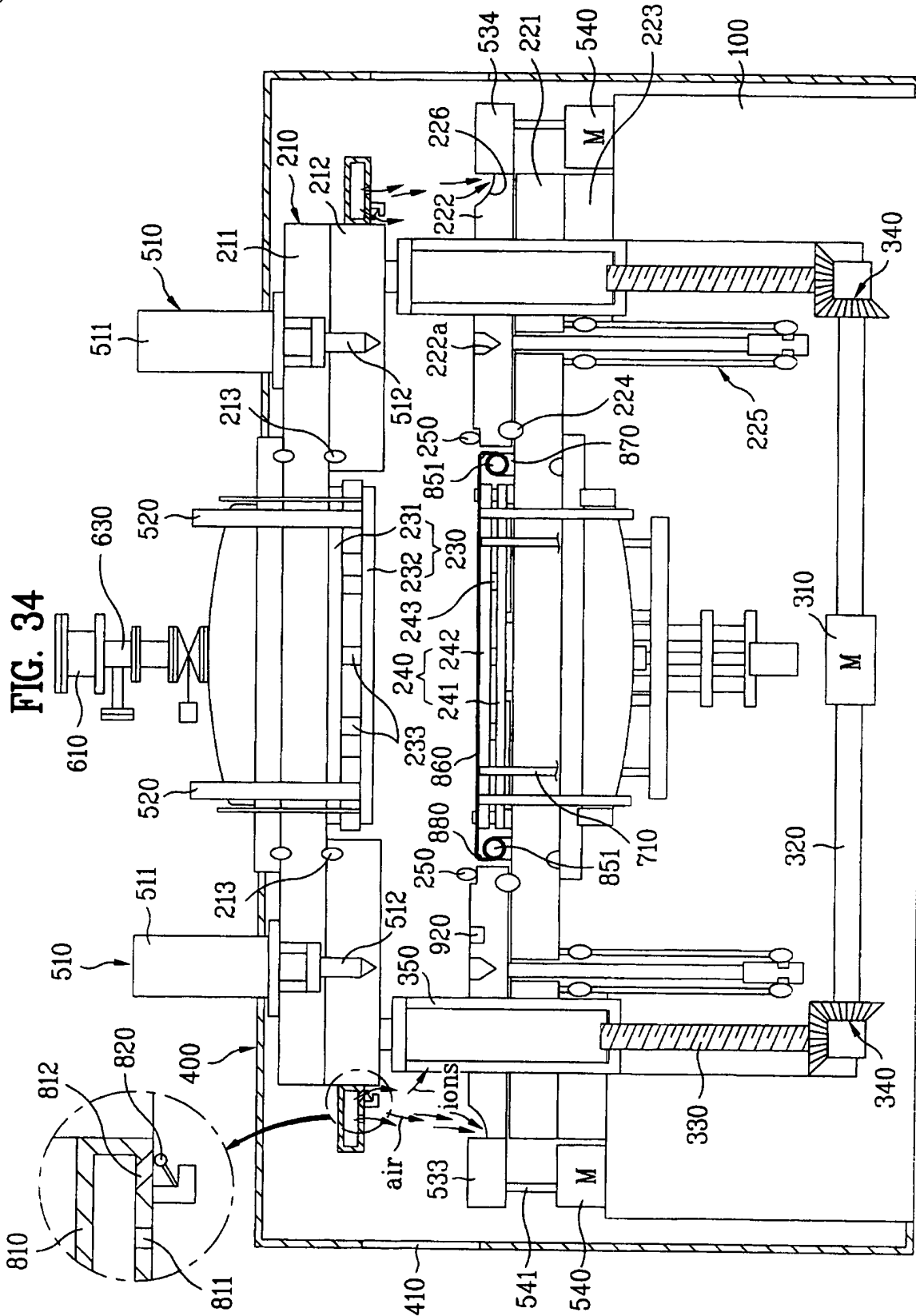




FIG. 35

